

Low Leakage Shielded Inductors / SRC TYPE

FEATURES

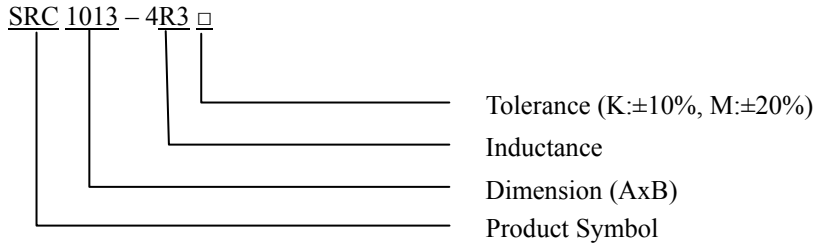
- ◆ Low distortion.
- ◆ The magnetic shield in a metal case is available.



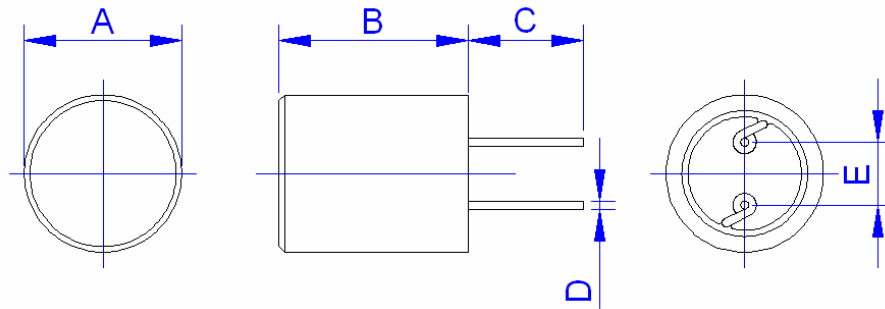
APPLICATIONS

- ◆ Magnetically shielded construction.
- ◆ Ideally Used in Printers, LCD TV, DVD, Printer, Copy Machine, Main board of the compounding machines, etc as Power Supplies's Inductors or DC-DC Converter inductors.

ORDERING CODE



SHAPES



DIMENSIONS UNIT: mm (inch)

Part No.	A (MAX)	B	C (REF)	D	E (REF)
SRC1013	11.0	13.5	5.0	0.7 ± 0.1	5.0
SRC1317	13.5	17.5	4.5	0.7 ± 0.1	5.0
SRC1616	16.0	16.0	5.0	0.8 ± 0.1	7.5
SRC1619	16.0	19.2	5.0	1.0 ± 0.1	7.5



CORE MASTER ENTERPRISE CO., LTD.

<http://www.coremaster.com.tw>

Low Leakage Shielded Inductors / SRC TYPE

ELECTRICAL CHARACTERISTICS FOR SRC1013

Part No.	Inductance (uH)	DC Resistance (Ω) Max	Rated Current (A) Max
SRC1013-4R3M	4.3 ± 20%	0.021	4.60
SRC1013-6R8M	6.8 ± 20%	0.024	3.60
SRC1013-100M	10 ± 20%	0.030	3.46
SRC1013-150M	15 ± 20%	0.038	2.57
SRC1013-220M	22 ± 20%	0.045	2.21
SRC1013-330M	33 ± 20%	0.057	1.83
SRC1013-470M	47 ± 20%	0.090	1.60
SRC1013-680M	68 ± 20%	0.150	1.36
SRC1013-101M	100 ± 20%	0.210	1.10
SRC1013-151M	150 ± 20%	0.242	0.86
SRC1013-221M	220 ± 20%	0.360	0.74
SRC1013-331M	330 ± 20%	0.430	0.57
SRC1013-471M	470 ± 20%	0.810	0.48
SRC1013-681M	680 ± 20%	0.952	0.38
SRC1013-102M	1000 ± 20%	1.600	0.39

ELECTRICAL CHARACTERISTICS FOR SRC1317

Part No.	Inductance (uH)	DC Resistance (Ω) Max	Rated Current (A) Max
SRC1317-330M	33 ± 20%	0.058	4.80
SRC1317-470M	47 ± 20%	0.069	4.30
SRC1317-680M	68 ± 20%	0.101	3.30
SRC1317-820M	82 ± 20%	0.110	3.10
SRC1317-101M	100 ± 20%	0.125	2.80
SRC1317-151L	150 ± 15%	0.195	2.40
SRC1317-221L	220 ± 15%	0.278	1.90
SRC1317-331L	330 ± 15%	0.360	1.60
SRC1317-471L	470 ± 15%	0.530	1.35
SRC1317-681L	680 ± 15%	0.780	1.12
SRC1317-821L	820 ± 15%	0.950	1.02
SRC1317-102L	1000 ± 15%	1.180	0.90
SRC1317-152L	1500 ± 15%	1.400	0.72
SRC1317-222L	2200 ± 15%	2.280	0.62
SRC1317-332L	3300 ± 15%	3.310	0.51
SRC1317-472L	4700 ± 15%	5.020	0.43



CORE MASTER ENTERPRISE CO., LTD.

<http://www.coremaster.com.tw>

Low Leakage Shielded Inductors / SRC TYPE

ELECTRICAL CHARACTERISTICS FOR SRC1616

Part No.	Inductance (uH)	DC Resistance (Ω) Max	Rated Current (A) Max
SRC1616-4R7M	4.7 ± 20%	0.0670	12.6
SRC1616-6R8M	6.8 ± 20%	0.0935	9.8
SRC1616-100M	10 ± 20%	0.0105	9.3
SRC1616-150M	15 ± 20%	0.0145	7.1
SRC1616-220M	22 ± 20%	0.0170	6.2
SRC1616-330M	33 ± 20%	0.0270	5.0
SRC1616-470M	47 ± 20%	0.0370	4.2
SRC1616-680M	68 ± 20%	0.0560	3.3
SRC1616-820M	82 ± 20%	0.0645	2.9
SRC1616-101K	100 ± 10%	0.0680	2.7
SRC1616-151K	150 ± 10%	0.0910	2.3
SRC1616-221K	220 ± 10%	0.1550	1.8
SRC1616-331K	330 ± 10%	0.2400	1.5
SRC1616-471K	470 ± 10%	0.2800	1.2
SRC1616-681K	680 ± 10%	0.5150	1.0
SRC1616-821K	820 ± 10%	0.5750	0.96
SRC1616-102K	1000 ± 10%	0.6650	0.85

ELECTRICAL CHARACTERISTICS FOR SRC1619

Part No.	Inductance (uH)	DC Resistance (Ω) Max	Rated Current (A) Max
SRC1619-100M	10 ± 20%	0.020	7.0
SRC1619-150M	15 ± 20%	0.022	6.0
SRC1619-180M	18 ± 20%	0.025	5.2
SRC1619-220K	22 ± 10%	0.028	4.9
SRC1619-330K	33 ± 10%	0.033	3.9
SRC1619-470K	47 ± 10%	0.038	3.4
SRC1619-680K	68 ± 10%	0.046	2.90
SRC1619-101K	100 ± 10%	0.053	2.50
SRC1619-151K	150 ± 10%	0.077	2.00
SRC1619-221K	220 ± 10%	0.140	1.60
SRC1619-331K	330 ± 10%	0.270	1.30
SRC1619-471K	470 ± 10%	0.460	1.10
SRC1619-681K	680 ± 10%	0.560	0.90
SRC1619-102K	1000 ± 10%	0.690	0.75

Notes:

- 1) Open Circuit Inductance Test Parameters: 1.0kHz, 0.25Vrms, 0.0Adc, Test Equipment : HP4284A or WK3260B LCR Meter.
- 2) DCR limits @ 20°C. Test Equipment: CH502BC.



CORE MASTER ENTERPRISE CO., LTD.

<http://www.coremaster.com.tw>