

SHIELDED SMD POWER INDUCTORS / SCI TYPE

FEATURES

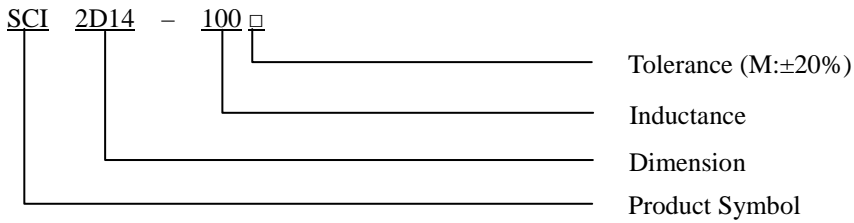
- ◆ Low DC resistance
- ◆ Suitable for large currents
- ◆ Available in magnetically shielded
- ◆ Small size with the electrode attached to it



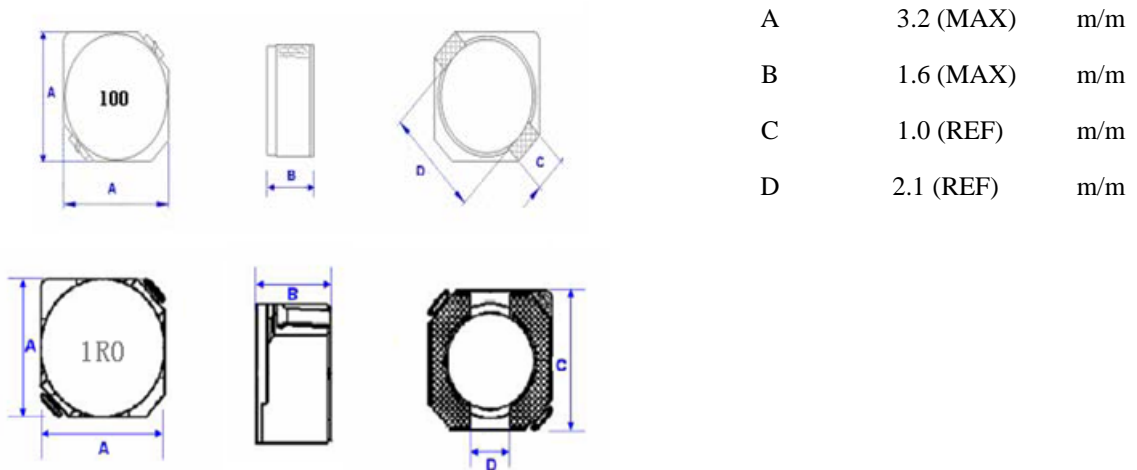
APPLICATIONS

- ◆ Power supply for VTRs.
- ◆ Portable communication equipment.
- ◆ LCD televisions.
- ◆ DC to DC converters, etc.

ORDERING CODE



DIMENSIONS (UNIT: mm)



SHIELDED SMD POWER INDUCTORS / SCI TYPE

ELECTRICAL CHARACTERISTICS FOR SCI2D14

Part No.	Inductance (μ H)	RDC (Ω)	IDC (A)
SCI2D14-R82 □	0.82	0.055	1.40
SCI2D14-1R0 □	1.0	0.080	1.30
SCI2D14-1R5 □	1.5	0.085	1.25
SCI2D14-2R2 □	2.2	0.094	0.80
SCI2D14-3R3 □	3.3	0.145	0.65
SCI2D14-4R7 □	4.7	0.169	0.60
SCI2D14-5R6 □	5.6	0.250	0.60
SCI2D14-6R8 □	6.8	0.260	0.55
SCI2D14-100 □	10	0.550	0.40
SCI2D14-220 □	22	0.900	0.25
SCI2D14-470 □	47	2.300	0.18

* 100 μ H 以上 Test Frequency : 1KHZ/1V

* 100 μ H 以下 Test Frequency : 100KHZ/0.1V