

# SHIELDED SMD POWER INDUCTORS / SCI TYPE

## FEATURES

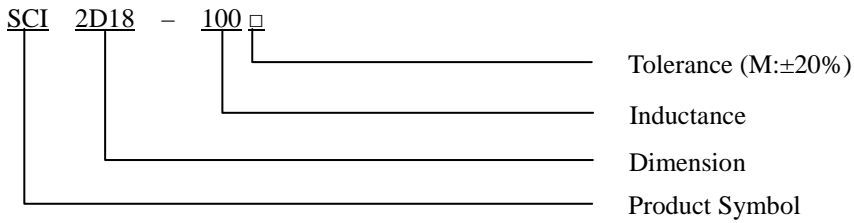
- ◆ Low DC resistance
- ◆ Suitable for large currents
- ◆ Available in magnetically shielded
- ◆ Small size with the electrode attached to it



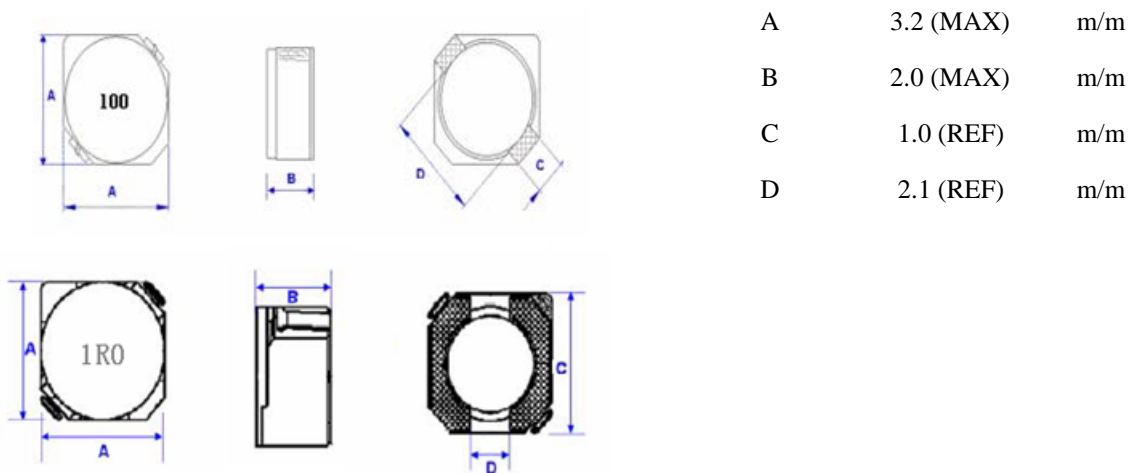
## APPLICATIONS

- ◆ Power supply for VTRs.
- ◆ Portable communication equipment.
- ◆ LCD televisions.
- ◆ DC to DC converters, etc.

## ORDERING CODE



## DIMENSIONS (UNIT: mm)



CORE MASTER ENTERPRISE CO., LTD.

<http://www.coremaster.com.tw>



## SHIELDED SMD POWER INDUCTORS / SCI TYPE

### ELECTRICAL CHARACTERISTICS FOR SCI2D18

Part No.	Inductance ( $\mu$ H)	RDC ( $\Omega$ )	IDC (A)
SCI2D18-1R0 □	1.0	0.0700	1.40
SCI2D18-1R5 □	1.5	0.0800	1.30
SCI2D18-2R2 □	2.2	0.0900	0.90
SCI2D18-3R3 □	3.3	0.0940	0.80
SCI2D18-4R7 □	4.7	0.1000	0.68
SCI2D18-6R8 □	6.8	0.1500	0.57
SCI2D18-100 □	10	0.1800	0.46
SCI2D18-150 □	15	0.2500	0.35
SCI2D18-220 □	22	0.3000	0.28
SCI2D18-330 □	33	0.6000	0.23
SCI2D18-101 □	100	1.8600	0.15

\* 100 $\mu$ H 以上 Test Frequency : 1KHZ/1V

\* 100 $\mu$ H 以下 Test Frequency : 100KHZ/0.1V